

WSE

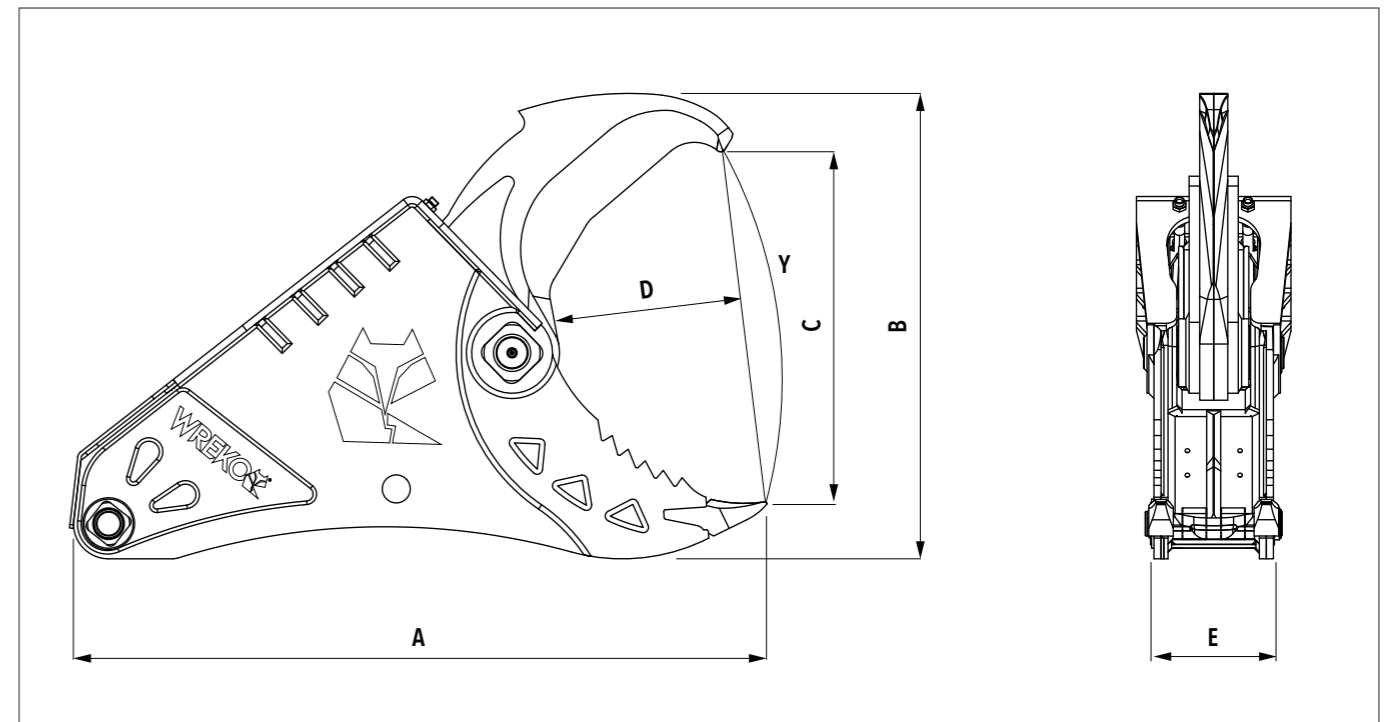
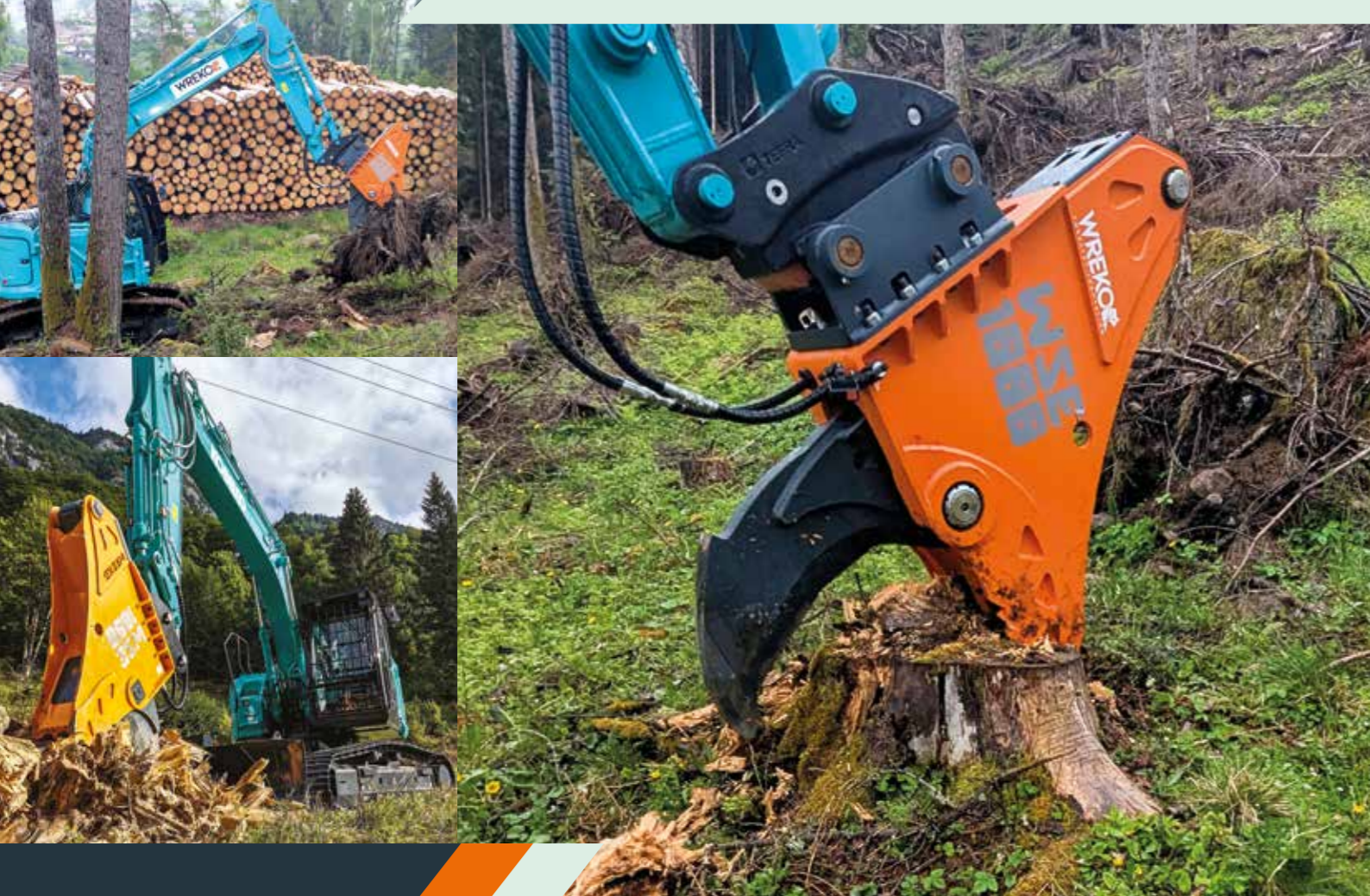


STUMP EXTRACTOR

WREKO ®
FORESTRY INNOVATION

WSE

STUMP PULLING GRAPPLE



MODEL		WSE1000	WSE1400
Excavator	ton	13 - 30	25 - 35
Weight	kg	1150	2100
A	mm	1970	2500
B	mm	1320	1850
C	mm	1000	1400
D	mm	540	950
E	mm	340	450
Y - Strength	ton	48	65
Oil Flow	l/min	100/180	150/250
Work pressure	bar	300	300

The indicated weights are to be considered approximate and refer to the equipment in its standard fixed configuration.


The WSE **Stump Pulling Grapple** is a specialized **agroforestry** tool designed to uproot, **break down, and clear the land of stumps**—even large ones—with minimal effort.

It is used in **volume reduction processes, biomass recovery**, and soil preparation for new planting cycles. Engineered to minimize ground penetration resistance, this grapple makes **root and stump extraction** significantly easier.

Thanks to the wide jaw opening—the largest in its class—it can firmly grip even massive stumps, enabling smooth transport of material to shredders or chipping machines. The specially sharpened blade reduces machine effort, cutting down work time and fuel consumption.

This stump grapple **turns waste into value**: it enables simple and cost-effective operations by converting a difficult-to-dispose residue like stumps into **renewable energy**. Also useful as a material handling grapple and rake.



 **WREKO s.r.l.**
Via Rovigo, 21
35042 Este (PD) - Italy

 wrekosrl@pec.it
P. IVA 05176050283

 +39 0429 1760794

 info@wreko.com

#FollowTheFox



www.wreko.com