



WTS

WOOD SPLITTER GRAPPLE



The **WTS grapple** is an equipment that finds its use in the **agroforestry sector**, to **split** large diameter **logs** with minimum effort.

Also used in **wood harvesting** and **processing processes**, it is useful as a **handling grapple**.

The structure and geometry of the claws is designed to reduce the force of penetration of the blades into the log, even in the hardest essences. Facilitated operation thanks to the presence of **solid ball bearings**.

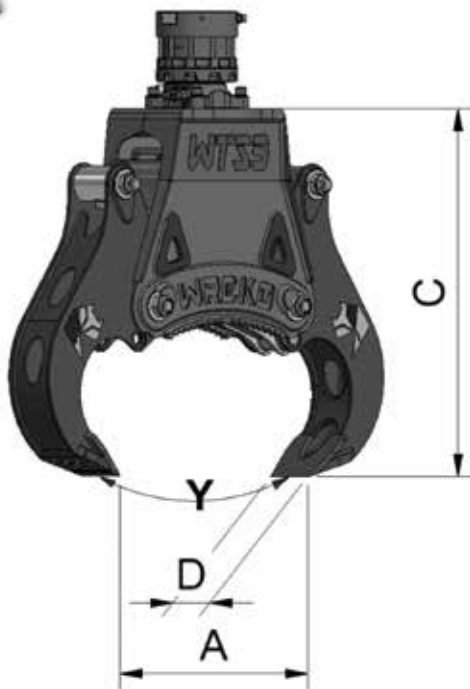
The splitting of the log thus allows a natural drying process of the wood, increasing the quality of the biomass and the energy yield.



- Available in five models for excavators from 3 to 35 tons

Optional:

- Hydraulic 360° rotator, pendulum and with double pin: they provide greater flexibility of use to the log splitter grapple, above all by facilitating the transport of the splitting material to the shredding machines



OPTIONAL



ROTATOR GV



ROTATOR GR



ROTATOR XR



ROTATION XRI



MODEL		WTS5	WTS10	WTS15	WTS20	WTS30
Excavator	ton	3 - 5	5 - 10	12 - 20	20 - 25	22 - 35
Basic equipment weight	kg	170	340	670	1050	on demand
A	mm	600	825	1050	1400	on demand
D	mm	150	210	270	300	on demand
C	mm	850	1150	1490	2000	on demand
Y - Strength	ton	15	22	28	30	on demand
Oil flow	l/min	30 - 40	60 - 80	80 - 100	180 - 200	on demand
Work pressure	bar	250	300	300	300	on demand

OPTIONAL

• Rotator GV

Weight	kg	45	55	65	65	on demand
--------	----	----	----	----	----	-----------

• Rotator GR

Weight	kg	35	/	/	/	/
--------	----	----	---	---	---	---

• Rotator XR

Weight	kg	/	77	77	/	on demand
--------	----	---	----	----	---	-----------

• Rotation XRI

Weight	kg	/	/	185	185	on demand
--------	----	---	---	-----	-----	-----------





#FollowTheFox



WREKO
ADVANCED SOLUTION TOOLS

 **WREKO s.r.l.**
Via Rovigo, 21
35042 Este (PD)

 +39 0429 176 07 94 

 info@wreko.com

www.wreko.com