



# WSE

## STUMP-PULLING GRAPPLE



The **WSE stump-pulling grapple** is used in the **agroforestry sector: it uproots, crushes, reclaims the soil** from even large stumps, with minimum effort.

It is used in **volumetric reduction processes, in the harvesting for the use of biomasses** and the cleaning of the soil for the new plantations.

Its structure is designed to reduce the force of penetration into the ground, to facilitate the extraction operation. This can be facilitated by the presence of a **vibrating unit** (optional), which helps to free the roots from the soil, cleaning the stump and facilitating its drying for subsequent transformations. The large opening of the mouth favors the capture of the stump to be uprooted and the transport of the resulting material up to the shredding machines.

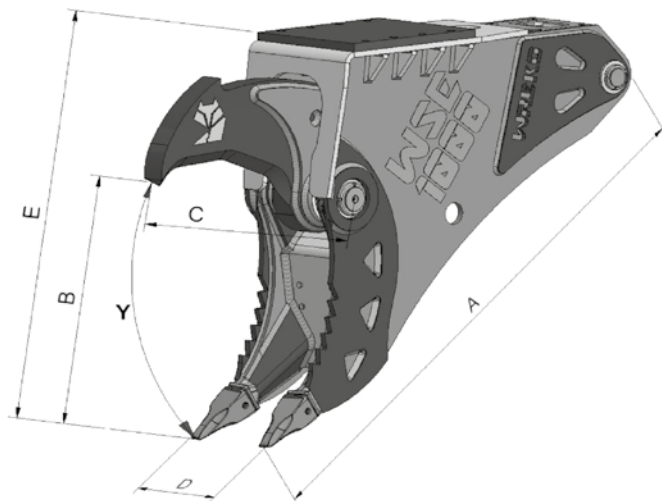
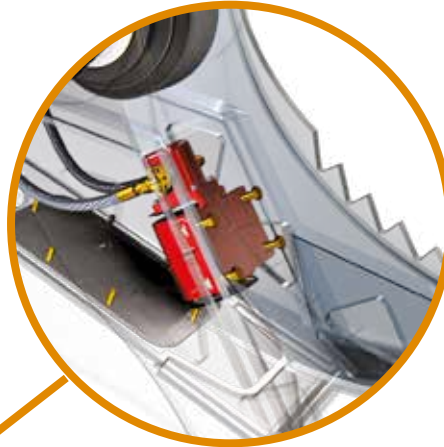
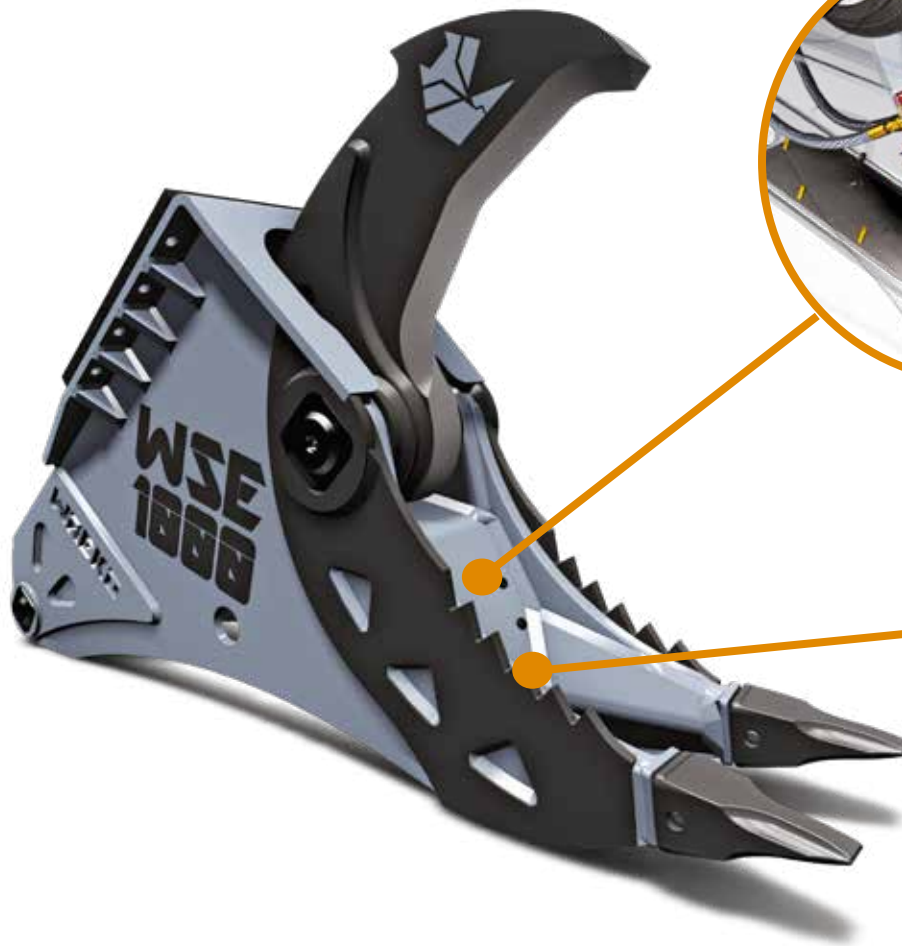


**Transforming waste into a resource:** WSE allows you to work in a simple and economical way, converting and enhancing waste, which is difficult to dispose of, into **renewable energy**.

- Available in two models for excavators from 13 to 35 tons
- Robust and interchangeable teeth for efficient work performance
- Built with high strength steels
- Sturdy and durable, it does not require particular maintenance
- Also useful as a handling grapple and rake

**Optional:**

- Shear counter blade, fixed to the frame
- Vibrating unit



## OPTIONAL



SHEAR COUNTER BLADE



VIBRATING UNIT



## MODEL

		WSE1000	WSE1400
<b>Excavator</b>	ton	13 - 30	25 - 35
<b>Basic equipment weight</b>	kg	1150	2100
<b>A</b>	mm	2100	2500
<b>B</b>	mm	1000	1400
<b>C</b>	mm	700	950
<b>D</b>	mm	380	450
<b>E</b>	mm	1350	1850
<b>Y - Strength</b>	ton	48	65
<b>Oil flow</b>	l/min	100 - 180	150 - 250
<b>Work pressure</b>	bar	300	300

## OPTIONAL

### • Shear counter blade

Weight	kg	12	15
--------	----	----	----

### • Vibrating unit

Weight	kg	15	15
--------	----	----	----





#FollowTheFox



**WREKO**  
ADVANCED SOLUTION TOOLS

 **WREKO s.r.l.**  
Via Rovigo, 21  
35042 Este (PD)

 +39 0429 176 07 94 

 [info@wreko.com](mailto:info@wreko.com)

[www.wreko.com](http://www.wreko.com)