

WSGF

SORTING GRAPPLE WITH SUPERSAW® KIT



FORESTRY



The **WSGF grapple** is ideal for all uses in the **forest environment**; for the **felling and handling of logs** and any other type of **sorting and selection activities**.

The combination with the **Supersaw® chainsaw** transforms a sorting grapple into a robust and reliable tool to use in any forestry environment. The quick **coupling / release system** combined with the chainsaw kit makes the equipment particularly versatile.

. The grapple has a **4 + 3 teeth** conformation that allows its full control during all jobs. The tapered teeth easily penetrate into the accumulation of trunks or branches. They grab, move and thanks to its comb configuration, it ensures a **firm grip**. All the hydraulic parts are protected by the frame to avoid breakage due to impacts or insertion of twigs.

- Reinforced frame built with high strength steels
- Hardened carbon steel pins and bushings for maximum durability
- Well protected pipes and fittings inside the frame
- Prepared for fixed or pendulous suspension mounting
- Available with different models of hydraulic rotation
- Pressure feed system for optimized saw performance
- Simple adjustment of the bar feeding pressure
- Independent chain oil tank
- Integrated and protected bar feeding cylinder
- Automatic return of the saw bar
- Tensioning and proportional automatic lubrication of the chain
- Quick and easy replacement of bars and chains

WSGF

SORTING GRAPPLE WITH SUPERSAW® KIT



INDEXATOR



SLEW DRIVERS



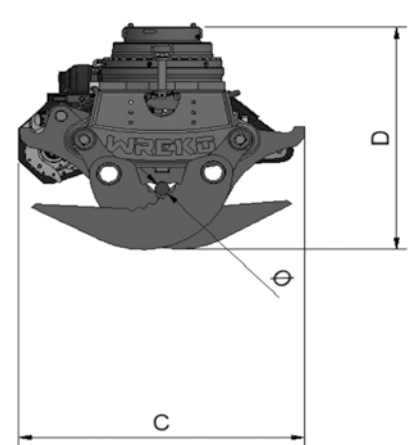
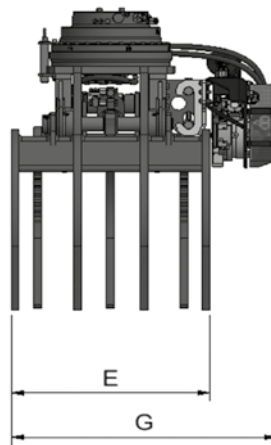
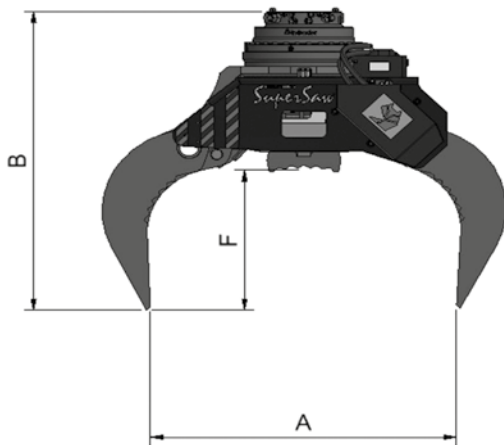
DOUBLE PIN MOUNTING



FALCONETTO PIN



SINGLE PIN MOUNTING



		WSGF-15	WSGF-25	WSGF-30	WSGF-40
Excavator weight	Ton	10 - 15	13 - 22	18 - 30	25 - 40
Teeth	n°	4+3	4+3	4+3	on demand
Weight without rotation	Kg	580	1100	1300	*
A	mm	1220	1350	2000	*
B	mm	1320	1450	1750	*
C	mm	1140	1200	1400	*
D	mm	980	1100	1300	*
E	mm	800	800	800	*
F	mm	620	680	850	*
G	mm	1060	1150	1150	*
L Saw	mm	900	900	900	*
Ø min.	mm	80	100	120	*
Power	Ton	4	7	9	*