



## WPF-HD

REINFORCED LOG GRAB



# WPF-HD

REINFORCED LOG GRAB WITH BLADE AND INTERCHANGEABLE



**NEW**



XR ROTOR



GV ROTOR



FALCONETTO PIN



SINGLE PIN MOUNTING

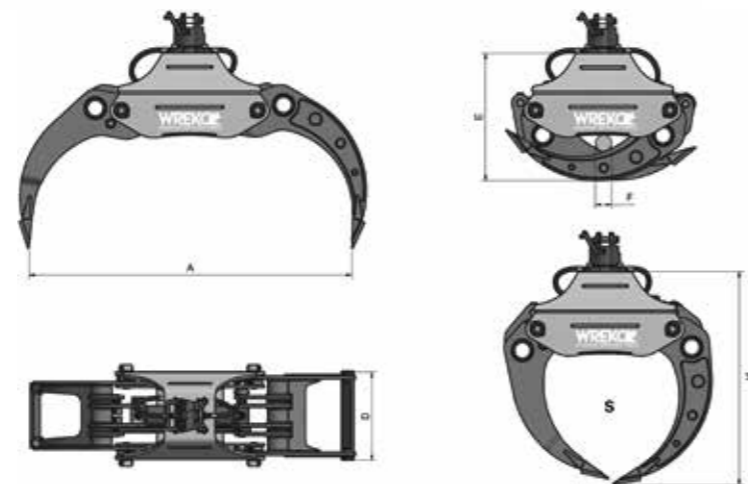
The **WPF HD** is a unique tool in the industry; it has the peculiarity that it can be used with a blade or with open tips, by just using an interchangeable tooth.

It can be used in any moving activity, log, twigs and scraps, wood waste and so on.

Its reinforced structure and frame, built with high-strength steels, double frame and enlarged cylinder made it an ideal tool for particularly intensive and demanding uses.

As an optional, it can be equipped with a 360 degrees hydraulic rotation.

5 models available for excavators with operating weight from 6 to 25 ton.




		WPF 10HD	WPF 12HD	WPF 15HD	WPF 20HD	WPF 25HD
Excavator	ton	6 - 10	8 - 12	12 - 15	14 - 20	18 - 25
A	mm	1630	1860	2010	2300	2400
D	mm	440	550	550	550	550
E	mm	550	656	714	760	800
F	mm	90	110	120	170	190
H	mm	850	985	1071	1200	1300
S	m <sup>2</sup>	0,26	0,38	0,48	0,55	0,80
Weight (Without Mounting)	Kg	230	360	450	500	650
Oil	l/min	50	50	50	60	60
Lifting Capacity	Kg	4000	6500	7000	8000	8000
Oil Pressere	bar	200	200	250	300	300




Follow the Fox!!



**WREKO**   
ADVANCED SOLUTION TOOLS

 **WREKO s.r.l.**  
Via Rovigo, 21  
35042 Este (PD)

 T. +39 0429 176 07 94  
F. +39 0429 176 06 34

 [info@wreko.com](mailto:info@wreko.com)

[www.wreko.com](http://www.wreko.com)