

WPF-HD S

LOG CLAMP WITH SUPERSAW® KIT



INDEXATOR



SLEW DRIVERS



DOUBLE PIN
MOUNTING



FALCONETTO
PIN



SINGLE PIN
MOUNTING

The **WPF-HD S** grapple is ideal for **handling and loading activities** such as: cutting timber, twigs and processing waste and chipper feeding. It has been designed with the particularity of being able to be used both with blade and with open tips. This happens thanks to the use of the interchangeable tooth.

The combination with the **Supersaw®** chainsaw transforms the log grapple into a robust and reliable tool to use in any forestry environment, which makes it particularly versatile.

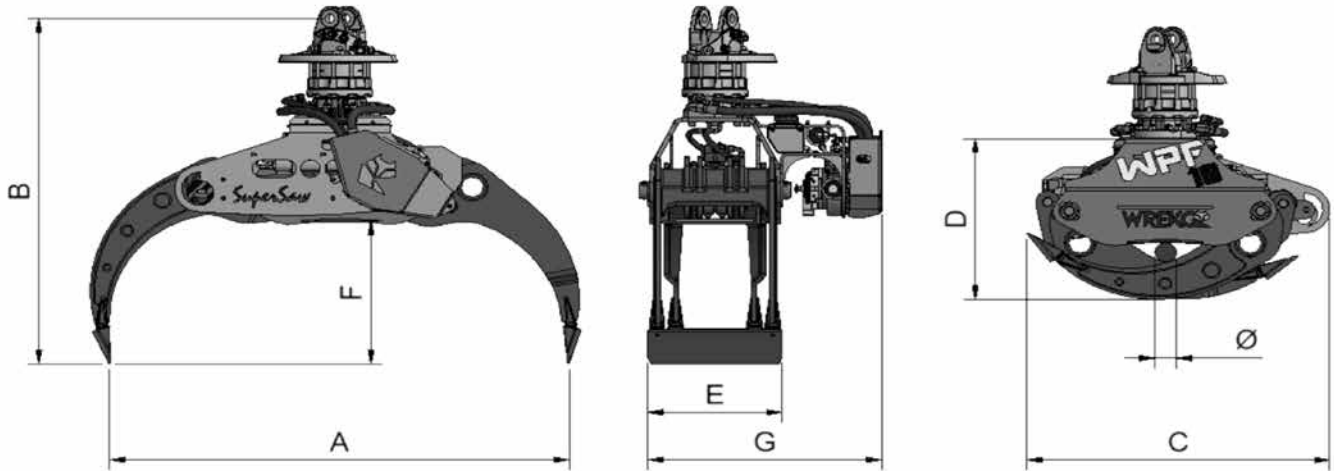
Its reinforced structure, built with high-strength steels, the double frame and the oversized cylinder, makes it suitable for particularly intensive and heavy use.

The clamp, as an option, provides also the application of 360° hydraulic rotation.

2 models available for excavators from 8 to 25 tons.

WPF-HD S

LOG CLAMP WITH SUPERSAW® KIT



		WPF10-HD S	WPF12-HD S
Excavator	ton	8 - 12	10 - 25
A	mm	1630	1860
D	mm	440	550
E	mm	550	656
F	mm	90	110
B	mm	850	985
G	mm	990	1050
Area	m ²	0,26	0,38
Weight (without rotation)	Kg	335	480
Oil	l/min	50	50
Lifting Weight	Kg	4000	6500
Oil Pressure	bar	200	200