

WTC

FORESTRY SHEAR



FORESTRY



WTC is a **forestry shear grapple** designed for both the **agricultural** and **forestry** sectors. Useful for land reclamation consortia or all those companies that carry out **green maintenance, deforestation of trees or bushes, even large ones**. The purpose of the WTC series is not only to **cut down**, but also to **move** and **stack** the plant in total safety.

Its structure is designed with ergonomic geometries, to facilitate insertion in confined spaces and reduce the penetration effort of the blade during the shearing of the trunk. The large opening of the mouth facilitates the capture of the log to be cut and the transport of the resulting material is facilitated by a powerful synchronous closing pliers.

- Available in 3 models for excavators from 14 to 35 tons
- Replaceable blade with high resistance, easily resharpenable and self-cleaning counter comb
- Case-hardened and hardened pins fixed with special safety nuts
- Multigrip accumulation arm to make more cuts

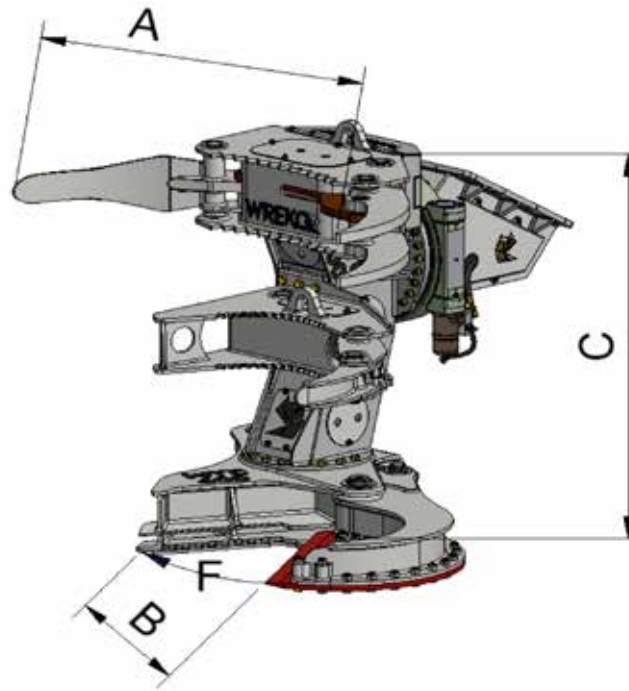
On request:

- 360° continuous hydraulic rotation
- 2-cylinder rotation system of 50°



WTC

FORESTRY SHEAR



		WTC400	WTC500	WTC600
A	mm	1500	1650	1650
B	mm	720	850	900
C	mm	1525	1800	1950
D (blade)	mm	730	800	900
F (blade force)	t.	30	40	50
Liters capacity	l/min	30 / 40	40 / 60	50 / 80
Operating pressure	bar	175	175	175
Liters capacity	l/min	80 / 150	100 / 160	100 / 200
Operating pressure	bar	300	300	300
Equipment weight (base-complete)	kg.	1200 / 1450	1700 / 2150	2000 / 2400
Operating machine service weight	t.	14 - 20	20 / 25	24 / 35
Cutting Ø with soft/hard wood	mm	400 / 350	500 / 450	600 / 550
360°rotation		•	•	•
2 cylinder rotation (2x48°)		•	•	•
Multigrip binder		•	•	•
Self-cleaning counter comb		•	•	•

•= available * = not available