

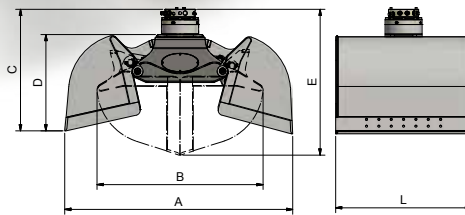
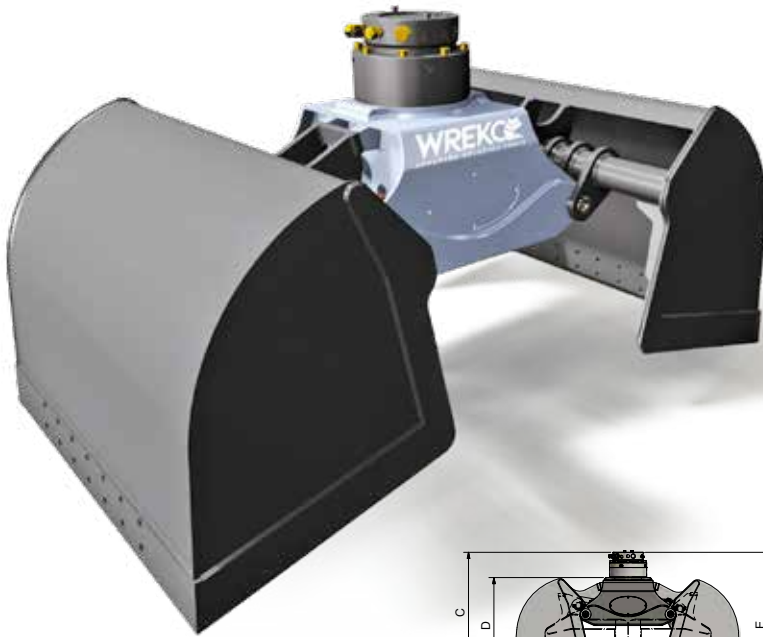


WHBC CLAMSHELL BUCKET



WHBC

CLAMSHELL BUCKET



RECYCLING

The **Clamshell Bucket WHBC** is used in **loading and unloading procedure** of minerals, coal, soil, wheat etc.,

It is very useful also in the movement of waste and sludge.

Thanks to the optimal shape of the clamshell it has an high closing force, which guratees a great penetration, maximum load an a very fast unloading performance.

- Capacity 0.5 to 2.5 m³
- Width of leemner from 800 to 2000mm
- 360° Rotation
- Lighter weight for a better holding material capacity
- Great penetration
- From 12 to 30 ton excavator

		WHBC 600	WHBC 800	WHBC 1000	WHBC 1300	WHBC 1600	WHBC 1800	WHBC 2200	WHBC 2500
Volume	m ³	0,56	0,8	1,0	1,3	1,6	1,8	2,2	2,5
Pressure	bar	280	280	280	280	280	280	280	280
Flow	l/min	80	80	80	100	100	100	160	160
A	mm	2200	2200	2200	2200	2200	2200	2500	2500
B	mm	1520	1520	1520	1840	1840	1840	2150	2150
C	mm	1120	1120	1120	1450	1450	1450	1500	1500
E	mm	1490	1490	1490	1590	1590	1590	1650	1650
L	mm	800	1000	1300	1300	1600	1800	1800	2000
Weight	Kg	700	850	1130	1530	1600	1650	1900	2160
Exc. Weight	ton	12 - 20	12 - 20	12 - 20	18 - 26	18 - 26	18 - 26	22 - 28	22 - 30